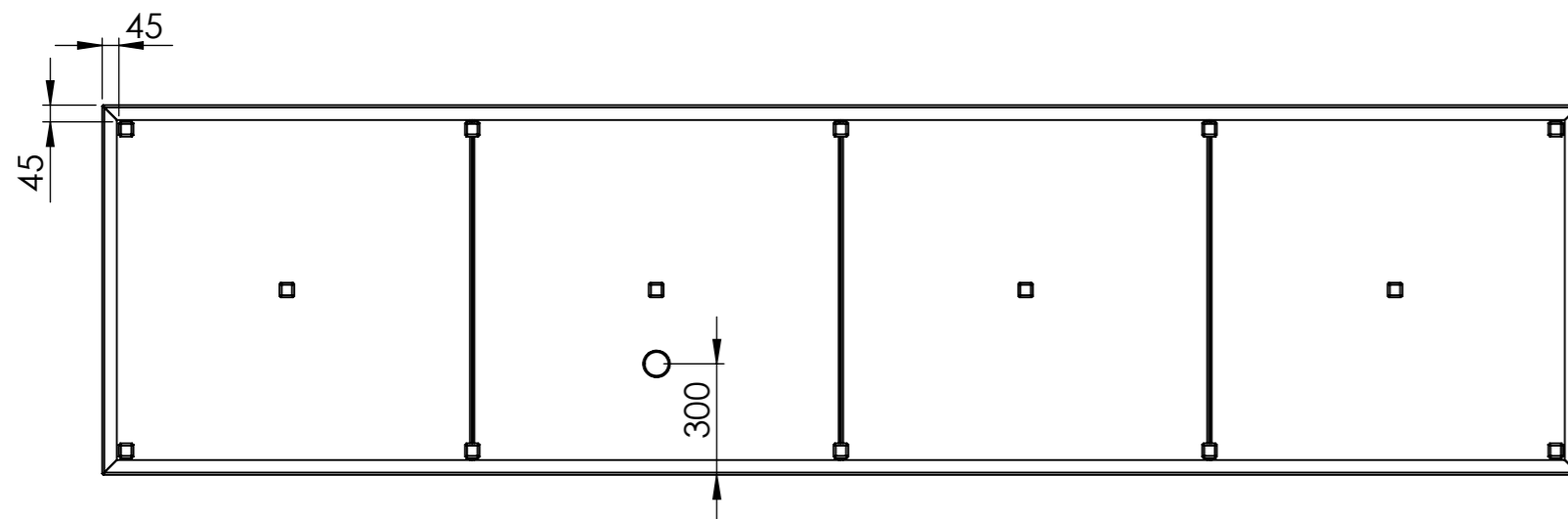
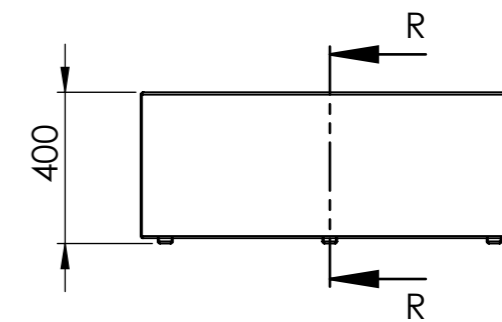
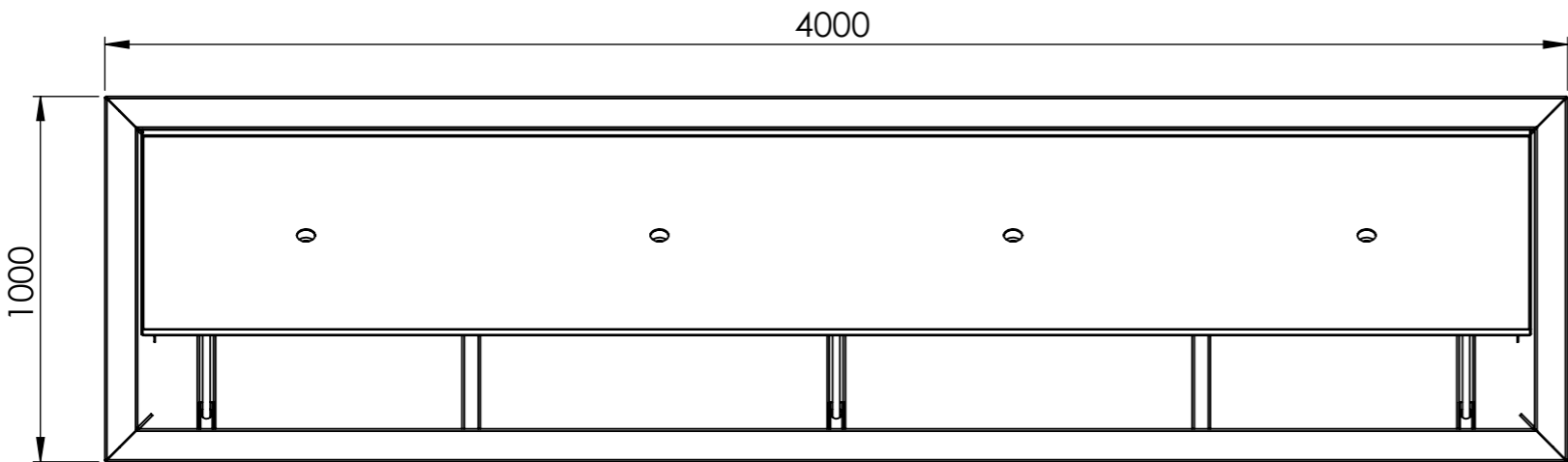


SECTION R-R



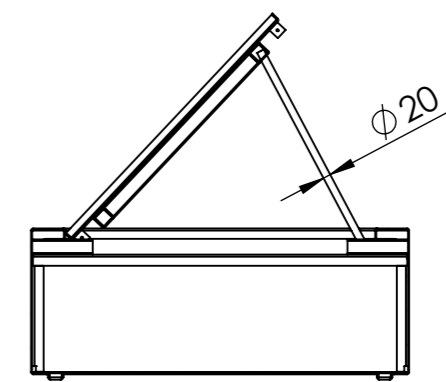
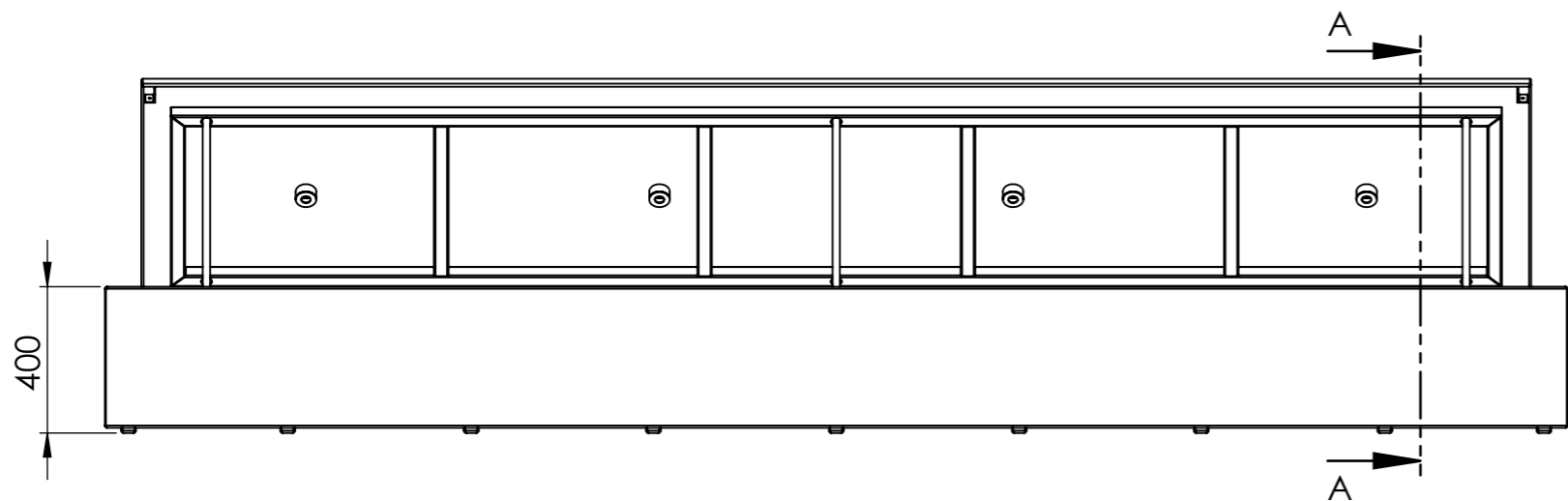
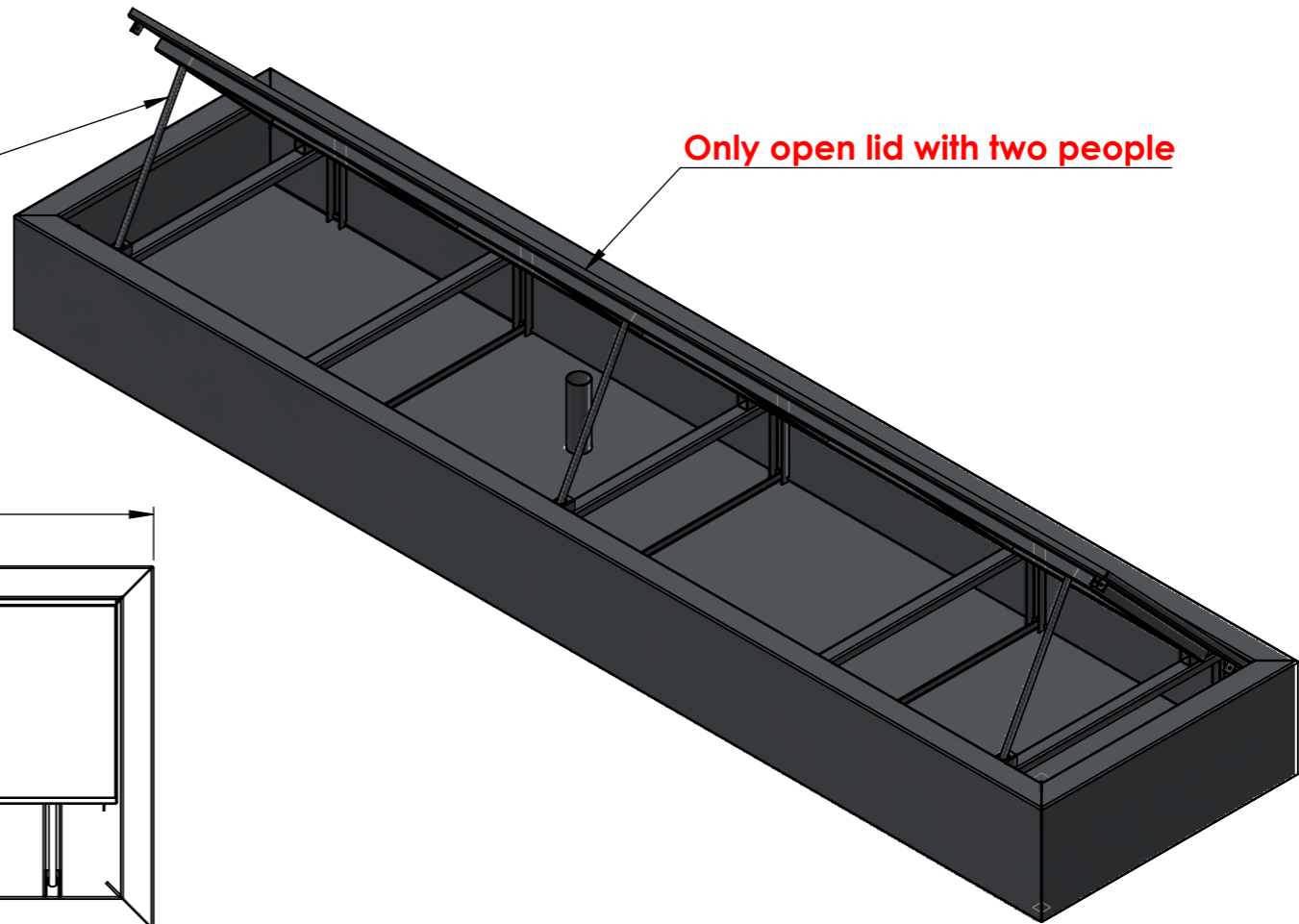
ITEM NO.	PART NUMBER	Thickness	DESCRIPTION	Default/QTY.
1	AB3 Base	3 mm	Aluminum	1
2	AB3 Cover	3 mm	Aluminum	1

DRAWN	Luuk van den Heuvel	DATE	25-6-2019		TITLE:	AB3 4000x1000x400	
REVISION						Drawing:	AB3 4000x1000x400
					Liessentstraat 4, 5405 AG Uden (NL). t 0031 (0)413 - 27 41 68. e info@adezz.com, i www.adezz.com		
Color:	-	Mass (kg):	123.04	SCALE:1:20	SHEET 1 OF 23		





Only use supplied rods to support the lid  
(Store these rods well, outside the water table)

Only open lid with two people



SECTION A-A

DRAWN	Luuk van den Heuvel	DATE	25-6-2019		TITLE:	AB3 4000x1000x400	
REVISION					Drawing:	AB3 4000x1000x400	A3
				Liessentstraat 4, 5405 AG Uden (NL). t 0031 (0)413 - 27 41 68. e info@adezz.com, i www.adezz.com		Color:	-
				Mass (kg):	123.04	SCALE:1:20	SHEET 2 OF 23