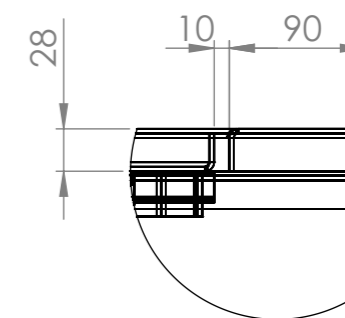
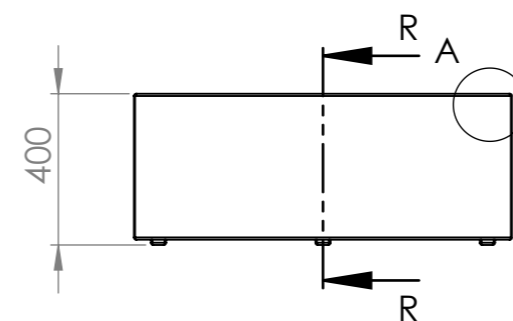
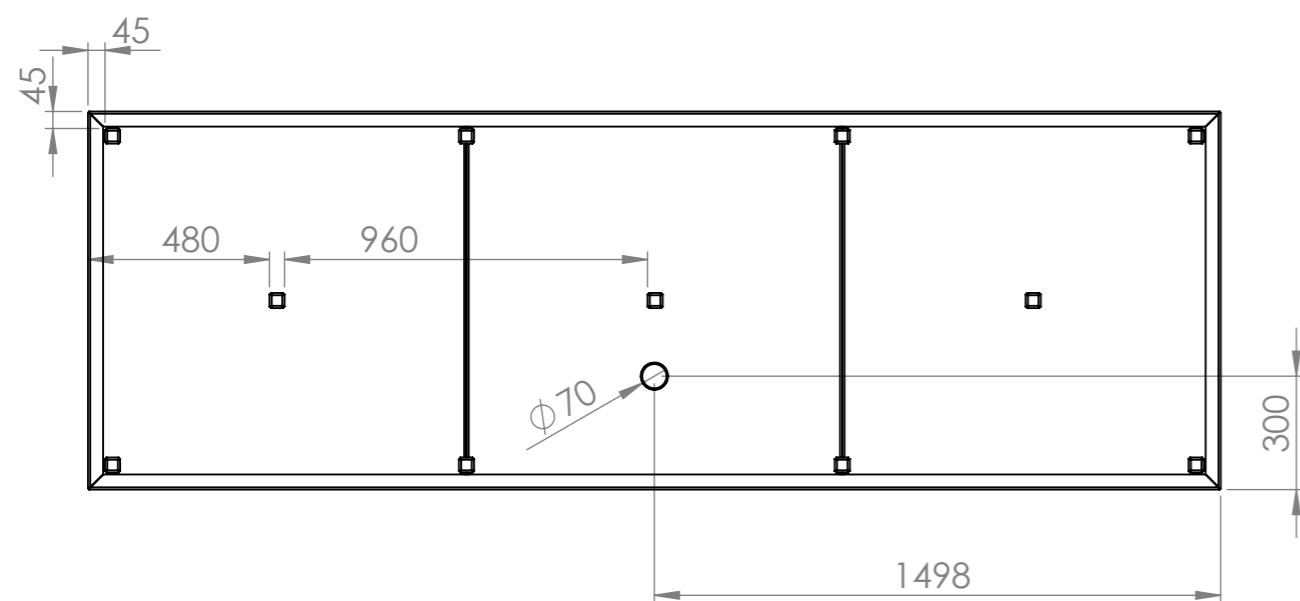


SECTION R-R



DETAIL A  
SCALE 1 : 5



| ITEM NO. | PART NUMBER | Thickness | DESCRIPTION | Default/QTY. |
|----------|-------------|-----------|-------------|--------------|
| 1        | CB4 Base    | 3 mm      | Corten      | 1            |
| 2        | CB4 Cover   | 3 mm      | Corten      | 1            |

|          |               |      |            |
|----------|---------------|------|------------|
| DRAWN    | Joris Koppens | DATE | 10-10-2019 |
| REVISION |               |      |            |



TITLE:  
**CB4 3000x1000x400**

**ADEZZ**<sup>®</sup>  
WE PRODUCE GARDEN PRODUCTS FOR PROFESSIONALS

Liessentstraat 4, 5405 AG Uden (NL).  
t 0031 (0)413 - 27 41 68.  
e info@adezz.com, i www.adezz.com

Drawing: **CB4 3000x1000x400** **A3**

1 2 3 4 5 6 7 8

A A

B B

C C

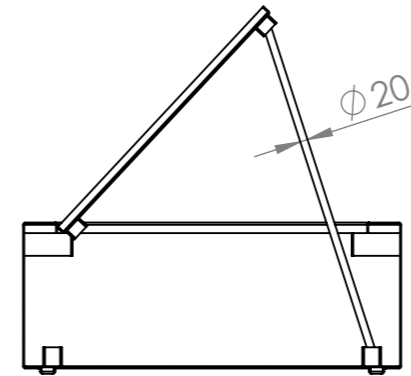
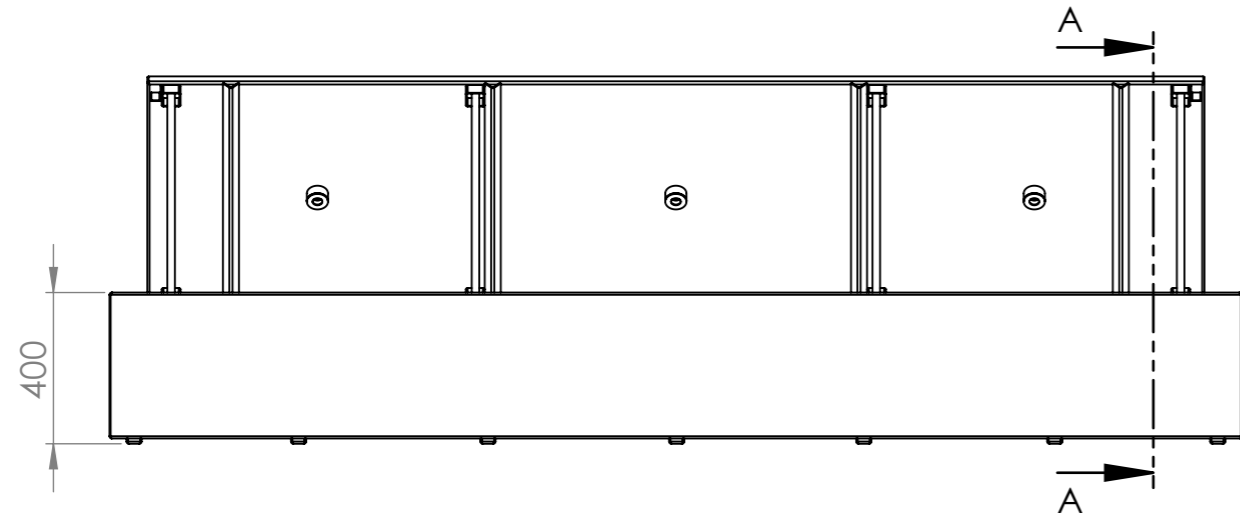
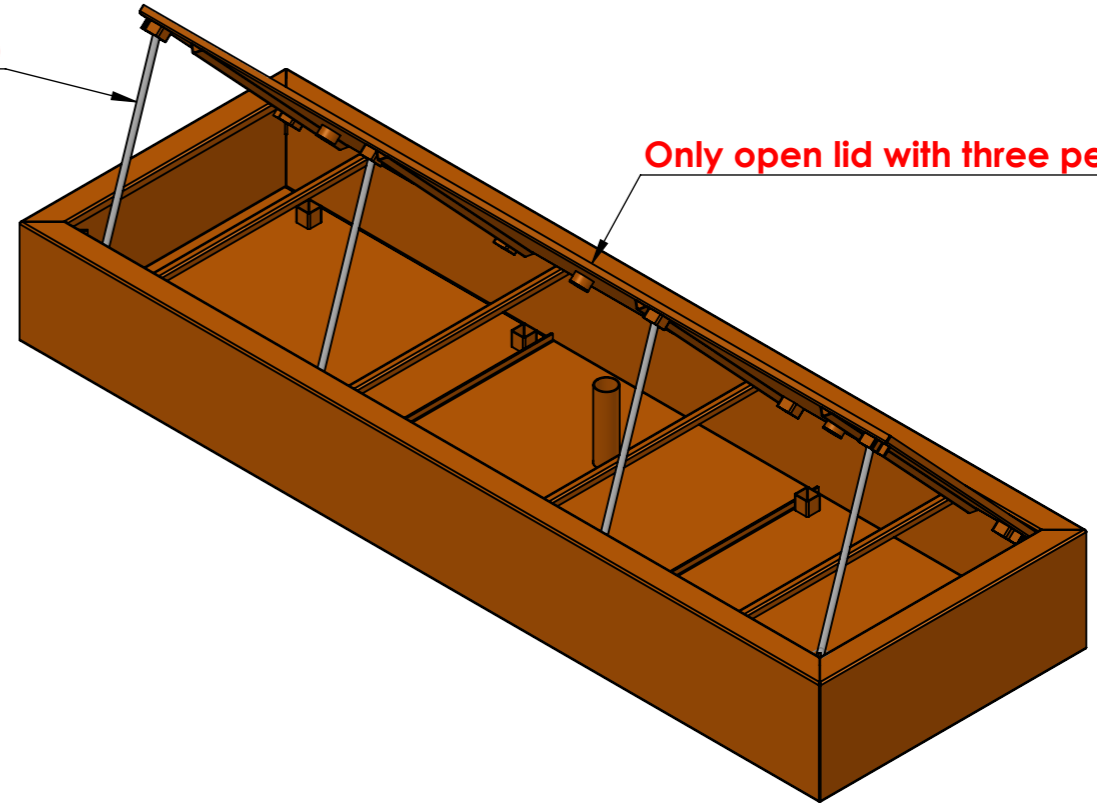
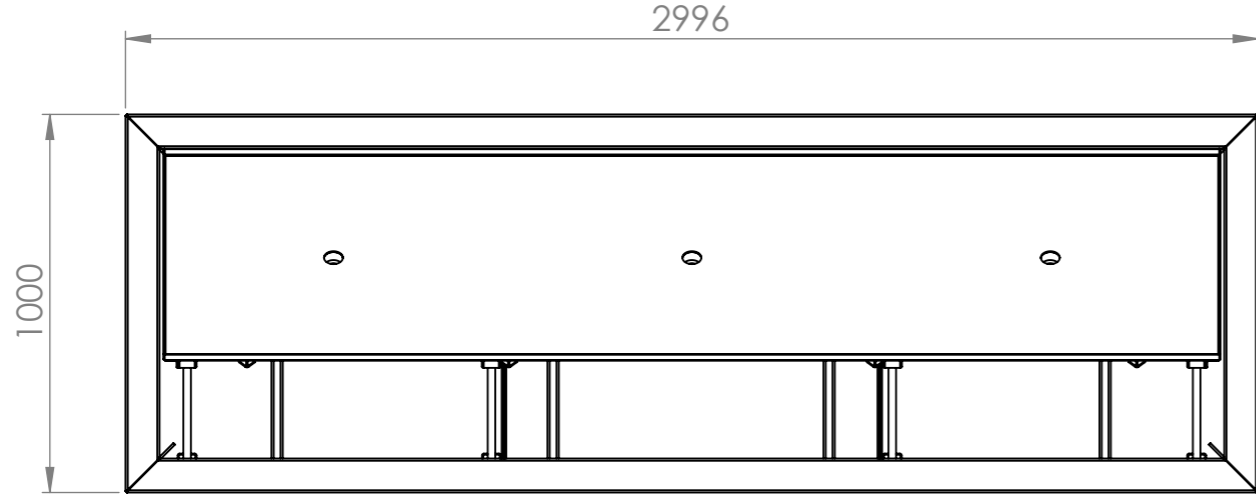
D D

E E

F F

Only use supplied rods to support the lid  
(store these rods well, outside the water table)

Only open lid with three people



SECTION A-A

|          |               |            |               |            |  |                   |    |
|----------|---------------|------------|---------------|------------|--|-------------------|----|
| DRAWN    | Joris Koppens | DATE       | 10-10-2019    |            | TITLE:   | CB4 3000x1000x400 |    |
| REVISION |               |            |               |            | Drawing:   | CB4 3000x1000x400 | A3 |
|          |               |            |               |            | Liessentstraat 4, 5405 AG Uden (NL).<br>† 0031 (0)413 - 27 41 68.<br>e info@adezz.com, i www.adezz.com |                   |    |
| Color:   | -             | Mass (kg): | <b>238.66</b> | SCALE:1:20 | SHEET 2 OF 20  |                   |    |